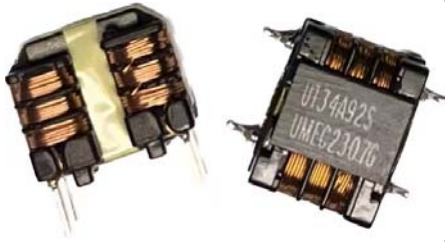


Common and Differential Mode Choke



Characteristics

- Common mode and differential mode choke all in one
- High suppression of common mode and Differential mode noise
- High differential inductance
- Extremely compact design
- Reduces number of components
- Small PCB footprint
- Dielectric rating of 1500VAC
- Operating temperature: -40°C to 125°C
- Designed for UL 1993 US lighting applications

Applications

- LED lighting
- CCFL lighting
- Offline switching power
- Suppression of both common and differential mode noise.
- Filtering on device with unstable ground
- Power line input and output filters
- Power electronics
- Electronic ballasts
- White goods

ELECTRICAL SPECIFICATIONS @25°C

Model No Through hole	L _{TYP.} (mH)	L _{LKG-MIN} (mH)	I _{SAT} (1) (mA)	I _{RMS} (2) (mA)	SRF _{TYP.} (kHz)	DCR (3) (Ω)	SIZE LxWxH(mm)
UT34A92	2.5	0.3	800	760	1500	0.7	8.7x15.8x13.6
UT34B15	6	0.7	500	450	850	1.6	8.7x15.8x13.6
UT34B16	10	1.1	350	370	800	2.5	8.7x15.8x13.6
UT34B17	24	2.5	250	240	440	6.3	8.7x15.8x13
UT34B18	45	4	200	180	300	10	8.7x15.8x13
UT34B19	57	6.5	150	160	280	15.7	8.7x15.8x13
UT34B20	140	19	100	90	190	39	8.7x15.8x13
Model No SMD TYPE	L _{TYP.} (mH)	L _{LKG-MIN} (mH)	I _{SAT} (1) (mA)	I _{RMS} (2) (mA)	SRF _{TYP.} (kHz)	DCR (3) (Ω)	SIZE LxWxH(mm)
UT34A92S	2.5	0.3	800	760	1500	0.7	18.5x15.8x9.5
UT34B15S	6	0.7	500	450	850	1.6	18.5x15.8x9.5
UT34B16S	10	1.1	350	370	800	2.5	18.5x15.8x9.5
UT34B17S	24	2.5	250	240	440	6.3	18.5x15.8x9.5
UT34B18S	45	4	200	180	300	10	18.5x15.8x9.5
UT34B19S	57	6.5	150	160	280	15.7	18.5x15.8x9.5
UT34B20S	140	19	100	90	190	39	18.5x15.8x9.5

NOTES:

- (1) The current which causes 20% roll off from the inductance at no DC.
- (2) The heating current which causes a temperature rise of 40°C with no heat sinking.
- (3) Typical DCR is for one coil only; double this for both coils in series.
- (4) Electrical specifications @25°C unless otherwise noted.

DATA SHEET 14-34 NOV./23
1 OF 2

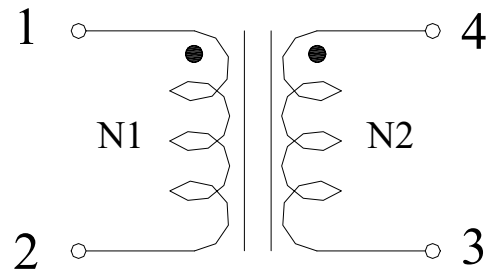


UNIVERSAL MICROELECTRONICS CO.,LTD.
TEL:886-4-23590096 FAX:886-4-23590129
<http://www.umec.com.tw> E-mail:business@umec.com.tw

3,27TH RD.,TAICHUNG INDUSTRIAL PARK,
TAICHUNG,TAIWAN,R.O.C

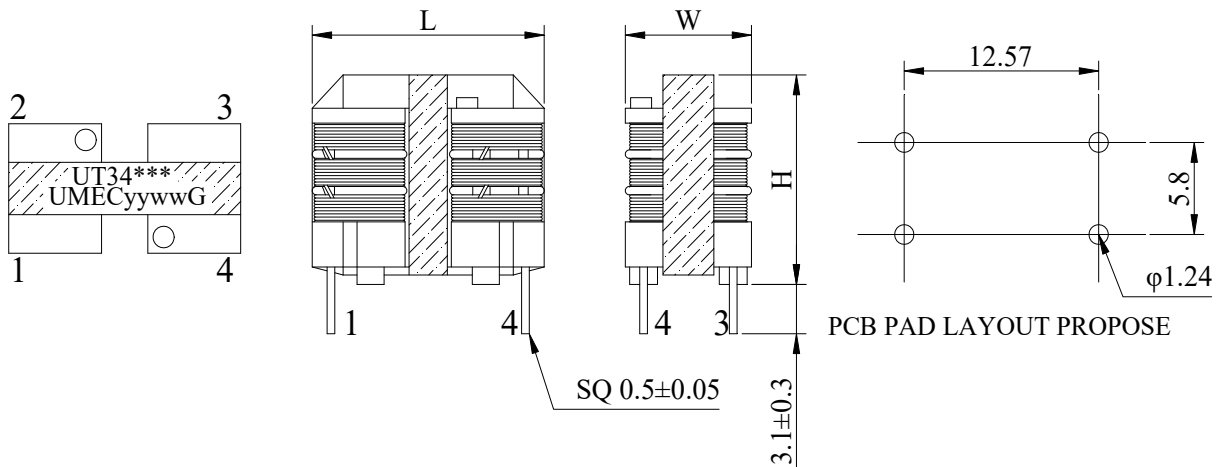
Common and Differential Mode Choke

SCHEMATICS

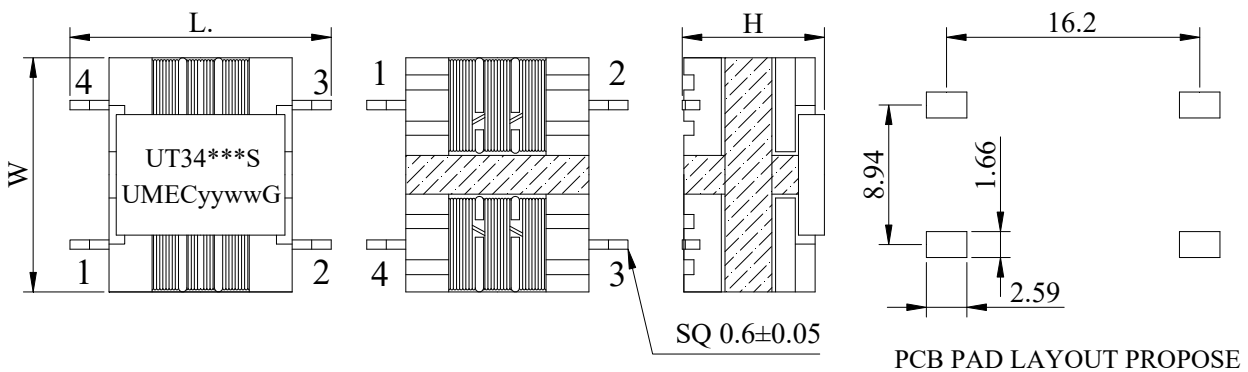


DIMENSIONS

Through hole



SMD TYPE



*Specifications are subject to change without prior notice.

DATA SHEET 14-34 NOV./23
2 OF 2



UNIVERSAL MICROELECTRONICS CO.,LTD.
TEL:886-4-23590096 FAX:886-4-23590129
<http://www.umec.com.tw> E-mail:business@umec.com.tw

3,27TH RD.,TAICHUNG INDUSTRIAL PARK,
TAICHUNG,TAIWAN,R.O.C